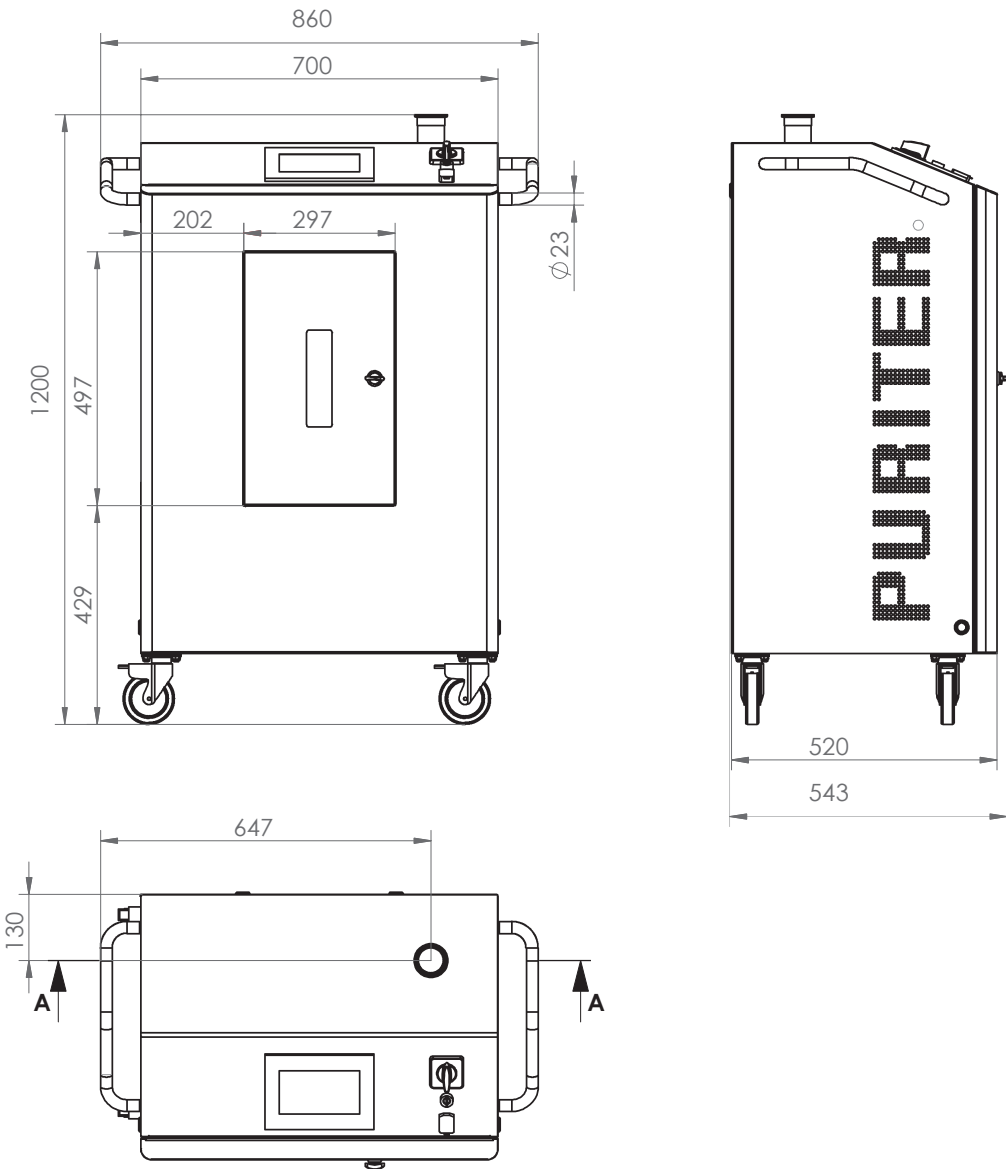


Hydrogen Peroxide Vapour Generator – Puriter

Surface sterilisation ensured by our own patented method of vaporization using hydrogen peroxide liquid.



Dimensions Hydrogen Peroxide Vapour Generator - Puriter



Hydrogen Peroxide Vapour Generator - Puriter

Dimensions in mm

Width	860
Height	1200
Depth	543

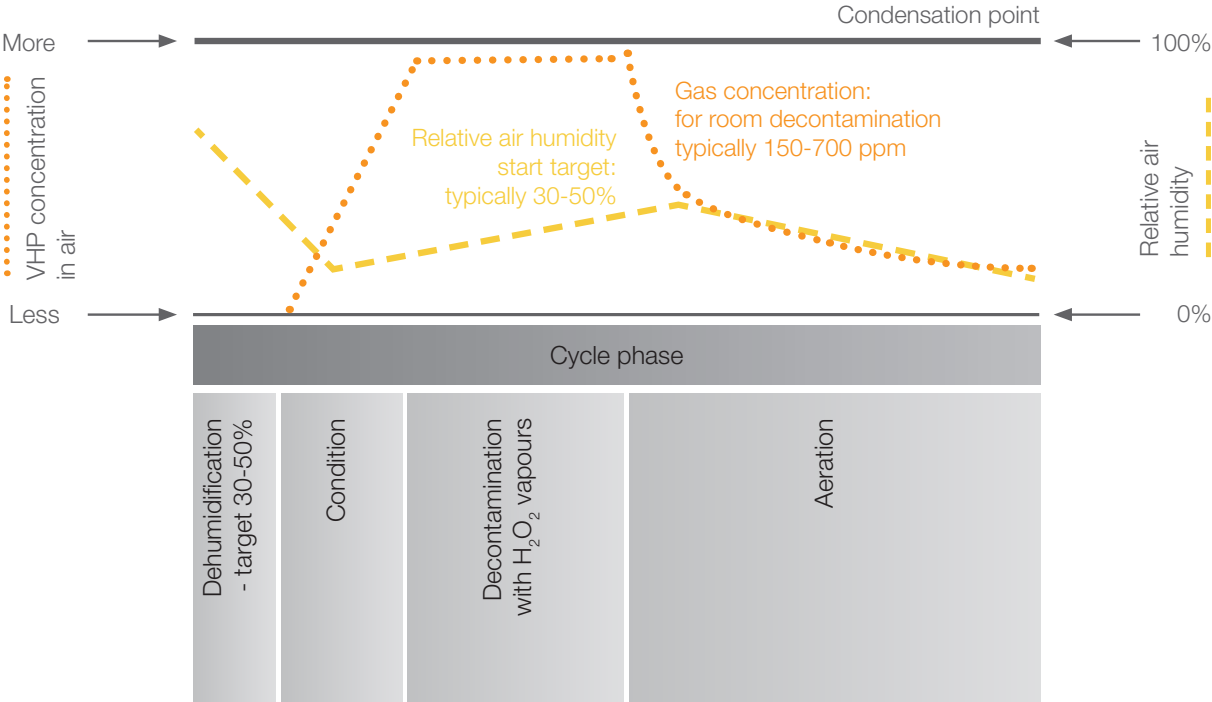
Description

Puriter is designated for the sterilisation of interior surfaces utilising liquid hydrogen peroxide. The whole process is performed with patented BLOCK® technology.

- Applications
 - sanitation, disinfection
 - sterilisation
 - inside surfaces of closed boxes (e.g. isolators and pass through cabins)
 - inside surfaces of rooms
- Uses hydrogen peroxide 30%
- Operation via a touch screen with program selection and intuitive controls
- Control system: SIEMENS touch panel, TP700 Comfort
- Structural material: AISI 304 stainless steel, FIN8 grinded surface
- Air supply compression method
 - There must be a compressed air supply point available at installation site
- Our vapour generation process runs under normal temperatures (around 25 to 30 °C) and with normal pressure
- It does not leave any toxic residues as hydrogen peroxide decomposes to oxygen and water following decontamination
- The device is mobile = surfaces in various places may be decontaminated
- It can be connected to more devices by means of a DN50 triclamp
- Option to integrate the device into an isolator or airlock
- Operational Readiness:
For operation of equipment the following must be ensured pressurised air electric power supply



Standard Decontamination Cycle



Standards



USB connector 01

HMI panel 02

Pump 03

Main switch 04

Main switch locks in the switched-off position 05

Handle 06

Window for H₂O₂ level verification 07

Door for easy replacement of peroxide supply 08

Connection to compressed air 09

Internet connection (monitoring network), power supply connection and communication cable 10

HMI panel

The Puriter control system is operated with a Siemens colour touch screen. The Simatic control system from Siemens creates an intuitive and user-friendly experience. The screen displays the actual parameters of the environment and monitors emergency statuses. The system includes remote access for operator support.



Overview of Functions

- 01 Navigation buttons
- 02 User login
- 03 Puriter (device) Status
- 04 Parameters

Стандартное оснащение

Humidity measuring sensor - Rotronic



This sensor is very important for controlling process decontamination. Rotronic is an accurate and high-quality product, resistant to hydrogen peroxide vapours.

H2O2 concentration measuring sensors - Dräger



Sensors for low and high concentrations of hydrogen peroxide vapour are used to maintain control of the decontamination process and ensure safety.

Connection to compressed air (09)



Internet connection (monitoring network), power supply connection and communication cable (10)



Remote control system



With help from the Smart Client application remote access of Puriter via mobile phone is possible. Puriter has built-in wi-fi which the user may connect to. After establishment of a connection the Puriter Control Panel interface can be accessed on your mobile phone enabling complete remote access and control.

