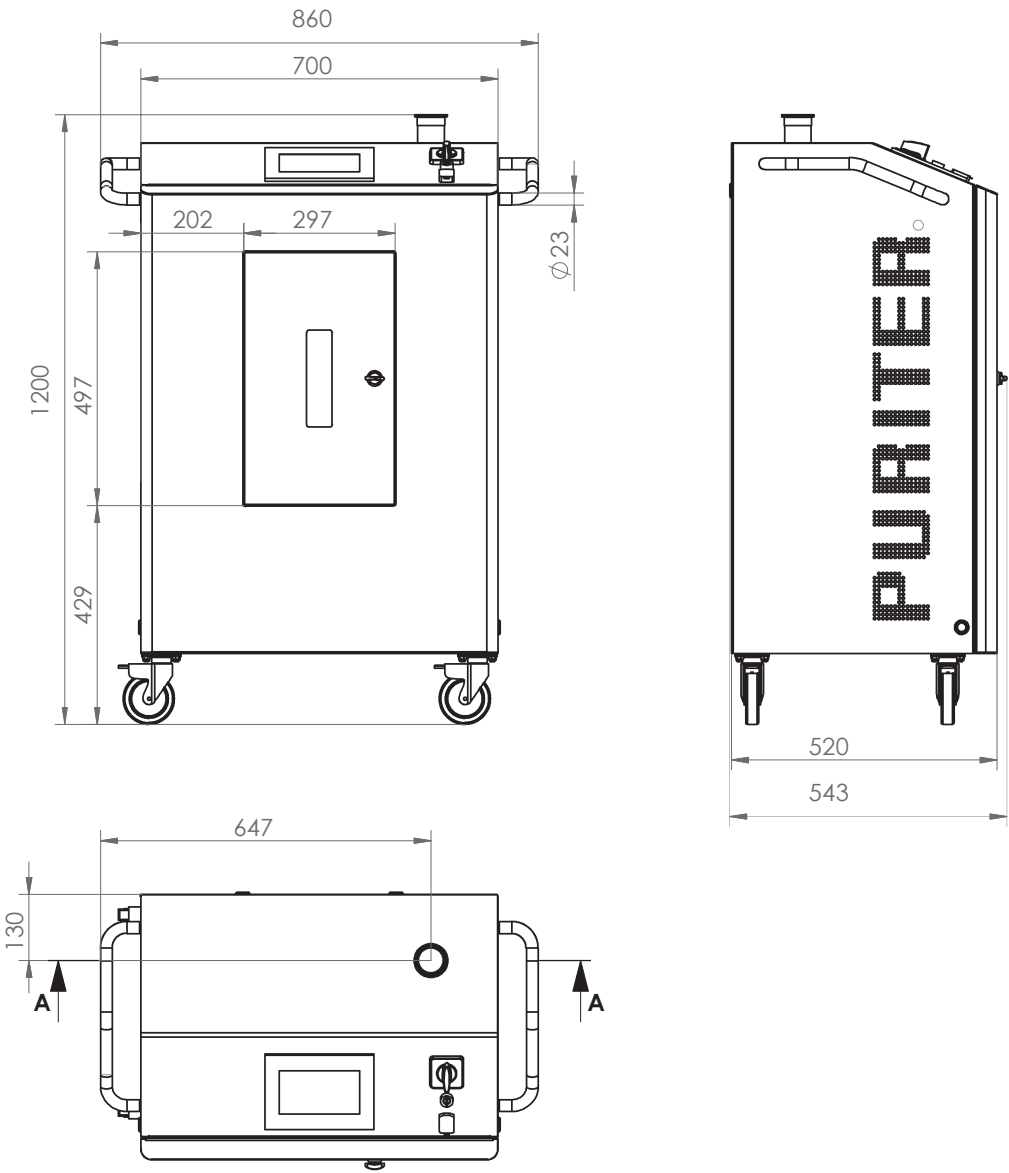


# Hydrogen Peroxide Vapour Generator – Puriter

Surface sterilisation ensured by our own patented method of vaporization using hydrogen peroxide liquid.



**Dimensions Hydrogen Peroxide Vapour Generator - Puriter**



**Hydrogen Peroxide Vapour Generator - Puriter**

Dimensions in mm

Width	860
Height	1200
Depth	543

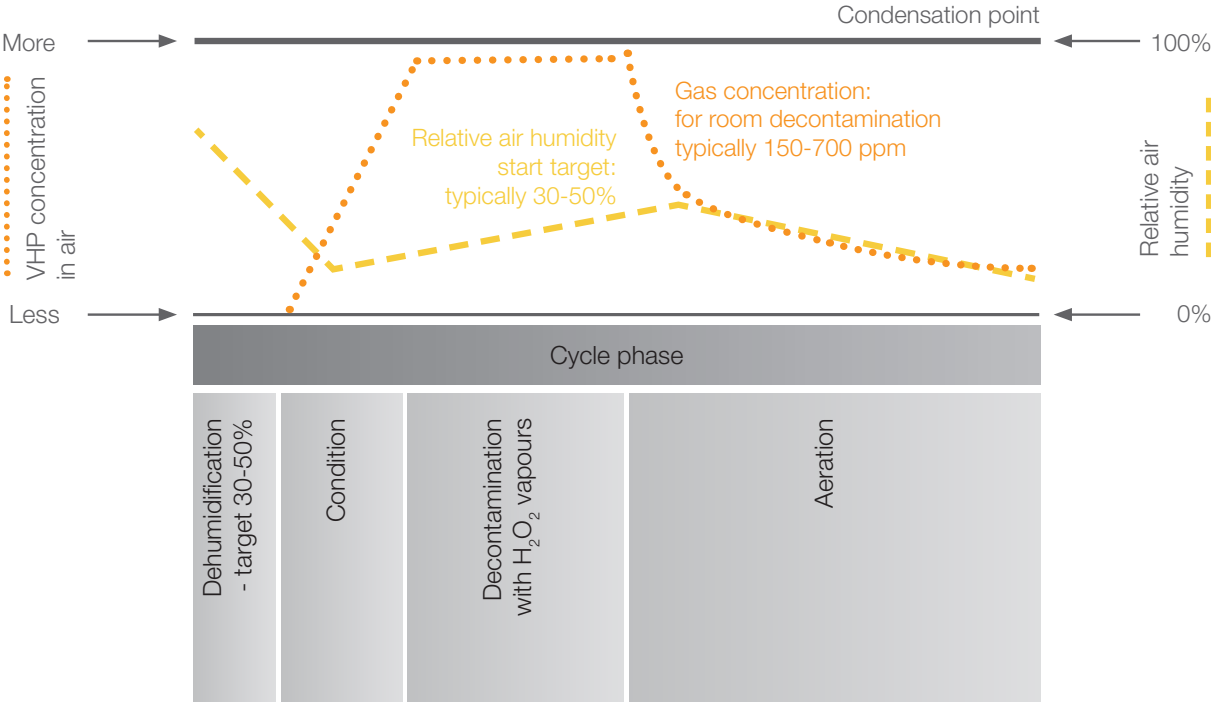
## Description

Puriter is designated for the sterilisation of interior surfaces utilising liquid hydrogen peroxide. The whole process is performed with patented BLOCK® technology.

- Applications
  - sanitation, disinfection
  - sterilisation
  - inside surfaces of closed boxes (e.g. isolators and pass through cabins)
  - inside surfaces of rooms
- Uses hydrogen peroxide 35%
- Operation via a touch screen with program selection and intuitive controls
- Control system: SIEMENS touch panel, TP700 Comfort
- Structural material: AISI 304 stainless steel, FIN8 grinded surface
- Air supply compression method
  - There must be a compressed air supply point available at installation site
- Our vapour generation process runs under normal temperatures (around 25 to 30 °C) and with normal pressure
- It does not leave any toxic residues as hydrogen peroxide decomposes to oxygen and water following decontamination
- The device is mobile = surfaces in various places may be decontaminated
- It can be connected to more devices by means of a DN50 triclamp
- Option to integrate the device into an isolator or airlock
- Operational Readiness:  
For operation of equipment the following must be ensured pressurised air electric power supply



# Standard Decontamination Cycle



## Standards



USB connector 01

HMI panel 02

Pump 03

Main switch 04

Main switch locks in the switched-off position 05

Handle 06

Window for H<sub>2</sub>O<sub>2</sub> level verification 07

Door for easy replacement of peroxide supply 08

Connection to compressed air 09

Internet connection (monitoring network), power supply connection and communication cable 10

## HMI panel

The Puriter control system is operated with a Siemens colour touch screen. The Simatic control system from Siemens creates an intuitive and user-friendly experience. The screen displays the actual parameters of the environment and monitors emergency statuses. The system includes remote access for operator support.



## Overview of Functions

- 01 Navigation buttons
- 02 User login
- 03 Puriter (device) Status
- 04 Parameters

## Стандартное оснащение

### Humidity measuring sensor - Rotronic



This sensor is very important for controlling process decontamination. Rotronic is an accurate and high-quality product, resistant to hydrogen peroxide vapours.

### H2O2 concentration measuring sensors - Dräger



Sensors for low and high concentrations of hydrogen peroxide vapour are used to maintain control of the decontamination process and ensure safety.

### Connection to compressed air <sup>09</sup>



### Internet connection (monitoring network), power supply connection and communication cable <sup>10</sup>



### Remote control system



With help from the Smart Client application remote access of Puriter via mobile phone is possible. Puriter has built-in wi-fi which the user may connect to. After establishment of a connection the Puriter Control Panel interface can be accessed on your mobile phone enabling complete remote access and control.

